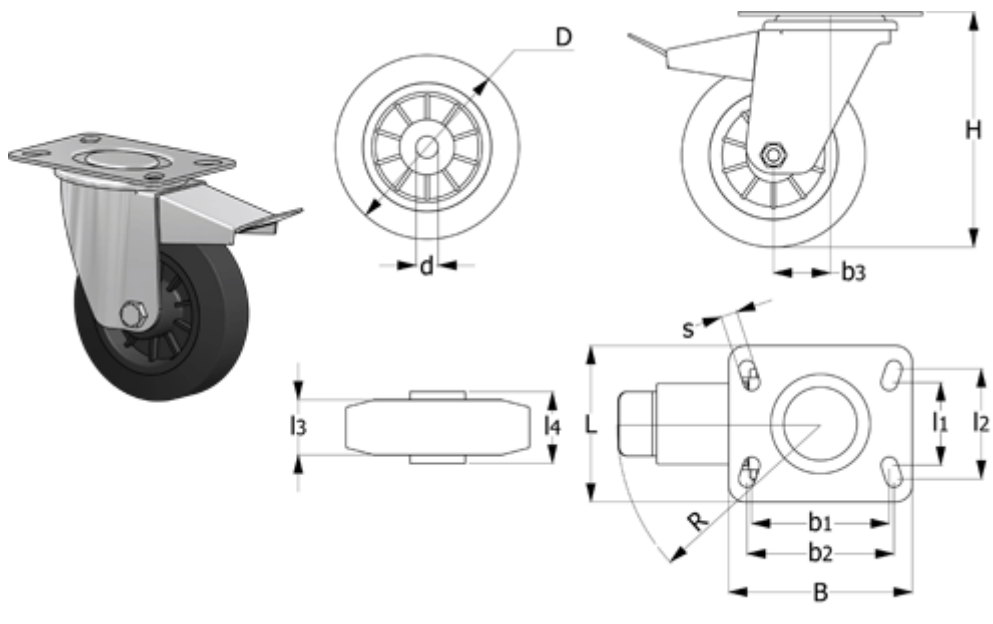


# Data Sheet



Article number: 2314449606  
 Description: E+G rubber wheel 449606  
 RE.E2-100-SBF turning plate w/brake

## Measures



B	= 100	g = 880	Rolling resistance (N) = 750
b1	= 75	H = 128	s = 9
b2	= 80	L = 85	Type = RE.E2-100-SBF
b3	= 35	l1 = 45	
Code	= 449606	l2 = 60	
D	= 100	l3 = 30	
d	= 12	l4 = 44	
Dynamic load (N)	= 800	R = 120	